

tempo

fast, easy, sturdy cranes

wire rope hoists & crane kits medium-duty package



SEW
EURODRIVE



Danfoss



Schneider
Electric



Configurations

- Monorail / single girder
- Double girder
- Trucks and controls

Features

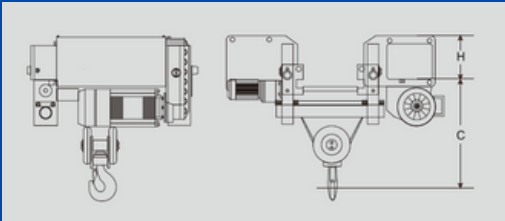
- Modern low-headroom design
- SEW Eurodrive gearbox & motor
- Rope guide and brakes in stock
- Schneider controls
- Danfoss-Ikusi radios
- Hoist monitoring unit
- Optional bridge crane or jib crane package
- CMAA compliant

www.tempohoist.com
(289) 205-0364

tempo

fast, easy, sturdy cranes

wire rope hoists & crane kits medium-duty package



SEW
EURODRIVE



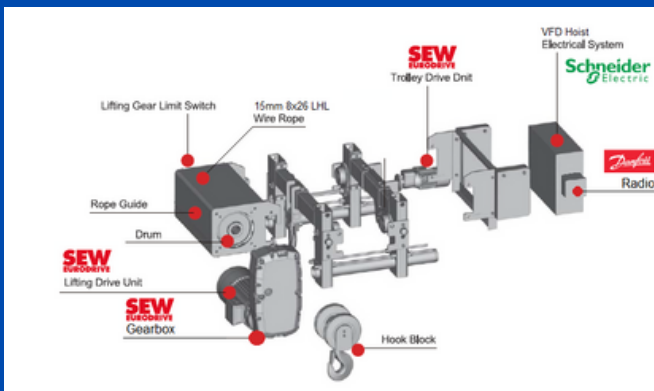
Danfoss



Schneider
Electric



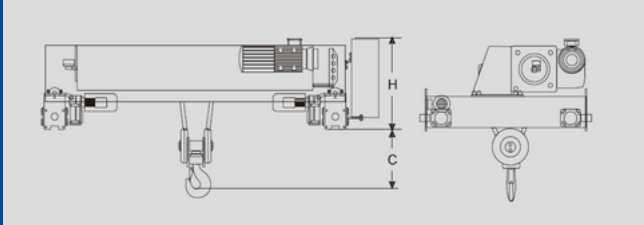
Load Capacity (Kg)	FEM	ISO	Height (m)	Speed (m/min)	Trolley Speed (m/min)	H Size (mm)	C Size (mm)
1000	4m	M7	6/9/12	0,8/5,0	5-20	232	500
1250	3m	M6	6/9/12	0,8/5,0	5-20	232	500
1600	3m	M6	6/9/12	0,8/5,0	5-20	232	500
1600	2m	M5	6/9/12/18	1,6/10,0	5-20	254	660
2000	2m	M5	6/9/12	0,8/5,0	5-20	232	500
2000	3m	M6	6/9/12/18	1,6/10,0	5-20	254	660
2500	3m	M6	6/9/12	0,8/5,0	5-20	232	500
2500	2m	M5	6/9/12/18	1,6/10,0	5-20	254	660
3200	2m	M5	6/9/12	0,8/5,0	5-20	232	500
3200	1Am	M4	6/9/12/18	1,6/10,0	5-20	254	660
5000	2m	M5	6/9/12/18	0,8/5,0	5-20	254	590
5000	2m	M5	6/9/12/18	1,6/10	5-20	321	790
6300	1Am	M4	6/9/12/18	0,8/5,0	5-20	254	590
8000	3m	M6	6/9/12/18	0,8/5,0	5-20	321	740
10000	2m	M5	6/9/12/18	0,8/5,0	5-20	321	740
10000	3m	M6	6/9/12/18	0,6/4,0	5-20	364	850
12500	1Am	M4	6/9/12/18	0,8/5,0	5-20	321	740
12500	2m	M5	6/9/12/18	0,6/4,0	5-20	404	850
16000	2m	M5	6/9/12/18	0,6/4,0	5-20	404	850
20000	1Am	M4	6/9/12/18	0,6/4,0	5-20	404	850



www.tempohoist.com
(289) 205-0364

fast, easy, sturdy cranes

wire rope hoists & crane kits medium-duty package



SEW
EURODRIVE



Danfoss



Schneider
Electric



NWH Wire Rope Hoist Dimension Table for Double Girder Crane

Load capacity (Kg)	FEM	ISO	Height (m)	Speed (m/min)	Trolley Speed (m/m/m)	H Size (mm)	C Size (mm)
2000	3m	M6	6/9/12	0,8/5,0	5-20	471	390
3200	2m	M5	6/9/12	0,8/5,0	5-20	471	390
5000	2m	M5	6/9/12/18	0,8/5,0	5-20	471	450
6300	1Am	M4	6/9/12/18	0,8/5,0	5-20	471	450
8000	3m	M6	6/9/12/18	0,8/5,0	5-20	542	650
10000	2m	M5	6/9/12/18	0,8/5,0	5-20	542	650
10000	3m	M6	6/9/12/18	0,6/4,0	5-20	679	700
12500	1Am	M4	6/9/12/18	0,8/5,0	5-20	542	650
12500	2m	M5	6/9/12/18	0,6/4,0	5-20	679	700
16000	2m	M5	6/9/12/18	0,6/4,0	5-20	679	700
20000	1Am	M4	6/9/12/18	0,66/4,0	5-20	679	700
20000	2m	M5	6/9/12/18	0,53/3,4	5-20	850	1200
25000	1Am	M4	6/9/12/18	0,53/3,4	5-20	850	1200
25000	2m	M5	6/9/12/18	0,8/3,3	5-20	864	1000
32000	2m	M5	6/9/12/18	0,8/3,3	5-20	864	1000
32000	2m	M5	6/9/12/18	0-4,9	5-20	1025	950
40000	1Am	M4	6/9/12/18	0-4,9	5-20	1025	950
50000	2m	M5	6/9/12/18	0-3,2	5-20	1023	1150
63000	1Am	M4	6/9/12/18	0-3,2	5-20	1023	1150
80000	1Bm	M3	6/9/12	0-2,4	5-20	1080	1500

For more options, please contact NOVOCRANE



www.tempohoist.com
(289) 205-0364